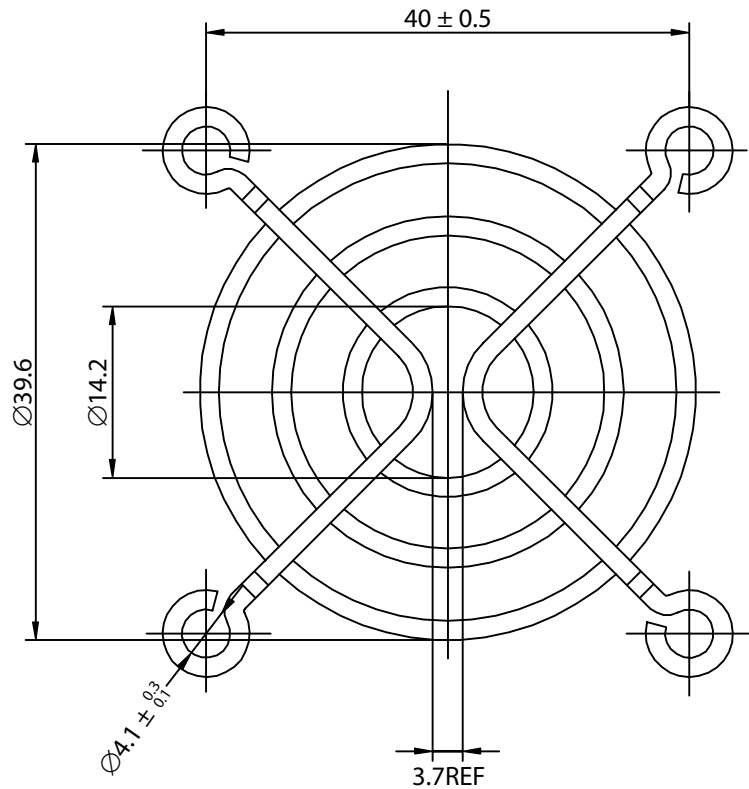


THESE DRAWINGS ARE THE PROPERTY OF QUALTEK ELECTRONICS AND NOT TO BE REPRODUCED FOR OR COMMUNICATED TO A THIRD PARTY WITHOUT THE EXPRESS WRITTEN PERMISSION OF AN OFFICER OF QUALTEK ELECTRONICS.

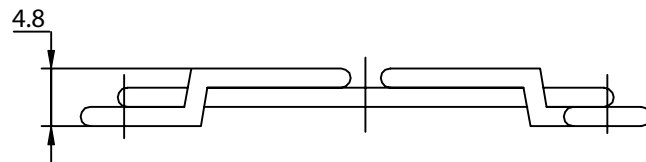
REVISION			
REV.	DESCRIPTION	DATE	APPROVED
A	RoHS Compliancy	06-01-06	DP



NOTES:

1. MATERIAL: C1008 BRIGHT BASIC WIRE
2. FINISH: BRIGHT NICKEL CHROME PLATING
3.  $0.35 \pm 0.05$  DEPTH OF SERRATIONS ON WIRE
4. RING:  $\text{Ø}1.6 \pm 0.1$ mm  
RIB:  $\text{Ø}1.6 \pm 0.1$ mm
5. GENERAL TOLERANCE UNLESS NOTED IS  $\pm 0.5$ mm
6. RoHS COMPLIANT

**CONTROLLED**



Dim range (mm)	Tolerance +/- (mm)	Qualtek Electronics Corp. FAN-S DIVISION		
		Part Number:	RoHS Compliant	
0-5	0.1	08248	Description: WIRE FORM FAN GUARD (50mm)	
5-16	0.15		UNIT: mm	REV: A
16-64	0.2		Checked / Date	Approved / Date
64-250	0.4	Drawn / Date		
250-1000	0.5	B. ZHANG 03-16-05	03-16-05	JJH / 03-16-05
1000-1500	1.0			