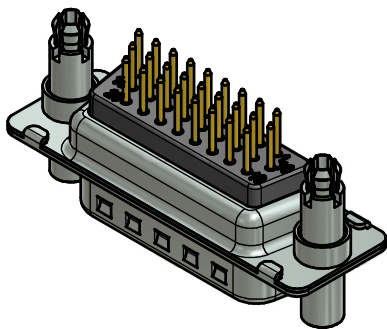
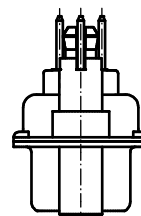
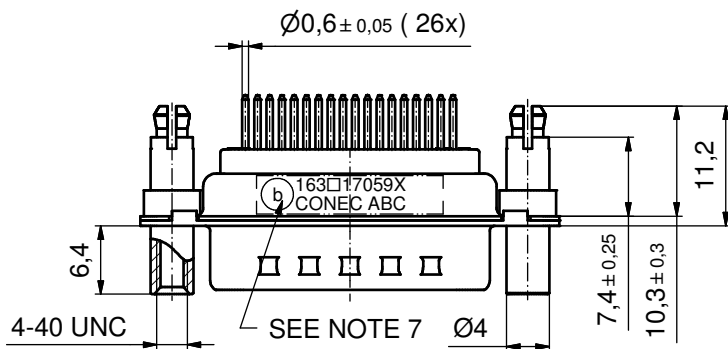
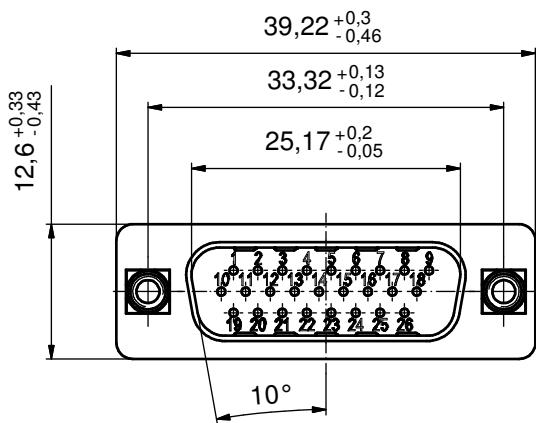
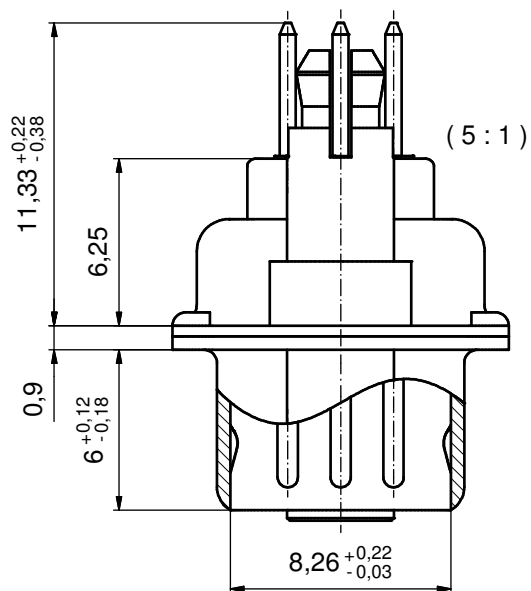


P.C.B. HOLE DRILLINGS
(P.C.B. TOP SIDE)



NOTES:

1. METALSHELLS: STEEL; min. 315µm TIN over 40-80µm NICKEL
2. INSULATORS: PBT GF UL 94 V-0, BLACK
3. CONTACTS: COPPER ALLOY; PLATING (SEE PART NO.):
 - PLEASE ADD A for GOLD FLASH over NICKEL (PREFERRED TYPE)
 - PLEASE ADD B for 20µm HARD GOLD over min. 50µm NICKEL
 - PLEASE ADD C for 30µm HARD GOLD over min. 50µm NICKEL
4. THREADED LOCK AND SPACER CLIPS:
 - COPPER ALLOY; min. 200µm TIN over 80µm NICKEL
 - PCB-HOLE: $\varnothing 3,1 \pm 0,1$; PCB THICKNESS 1,6mm
5. COLLARS: COPPER ALLOY; min. 200µm TIN over 80µm NICKEL
6. MAXIMUM TORQUE VALUE FOR THREAD: 6 in.LB
7. CONNECTOR IS PART MARKED: $163 \square 17059X$ CONEC ABC (see note 3)

Directive 2002/95/EC RoHS compliant

THIS DRAWING MAY NOT BE COPIED OR REPRODUCED IN ANY WAY, AND MAY NOT BE PASSED ON TO A THIRD PARTY WITHOUT WRITTEN PERMISSION. OWNERSHIP AND COPYRIGHT OF CONEC GmbH DO NOT ALTER CAD DRAWING BY HAND	tolerance			dim. in mm	scale: 2:1 (5:1)		
					material: SEE NOTES		
				title:		D-SUB HD MALE 26pos. SOLDER PIN STRAIGHT with threaded lock and spacer clip	
				drawn 03.01.14 Henneboel appd. 06.01.14 Lehmenkühler norm			
				d-old 16K1A1785			
	3 x b	Ä5034	03.01.2014	K.H.	dwg no: 16K1A3371		DIN-A3
	a	Original			part no: 163 \square 17059X (see note 3)		sh: 1
rev.	description	date	name				