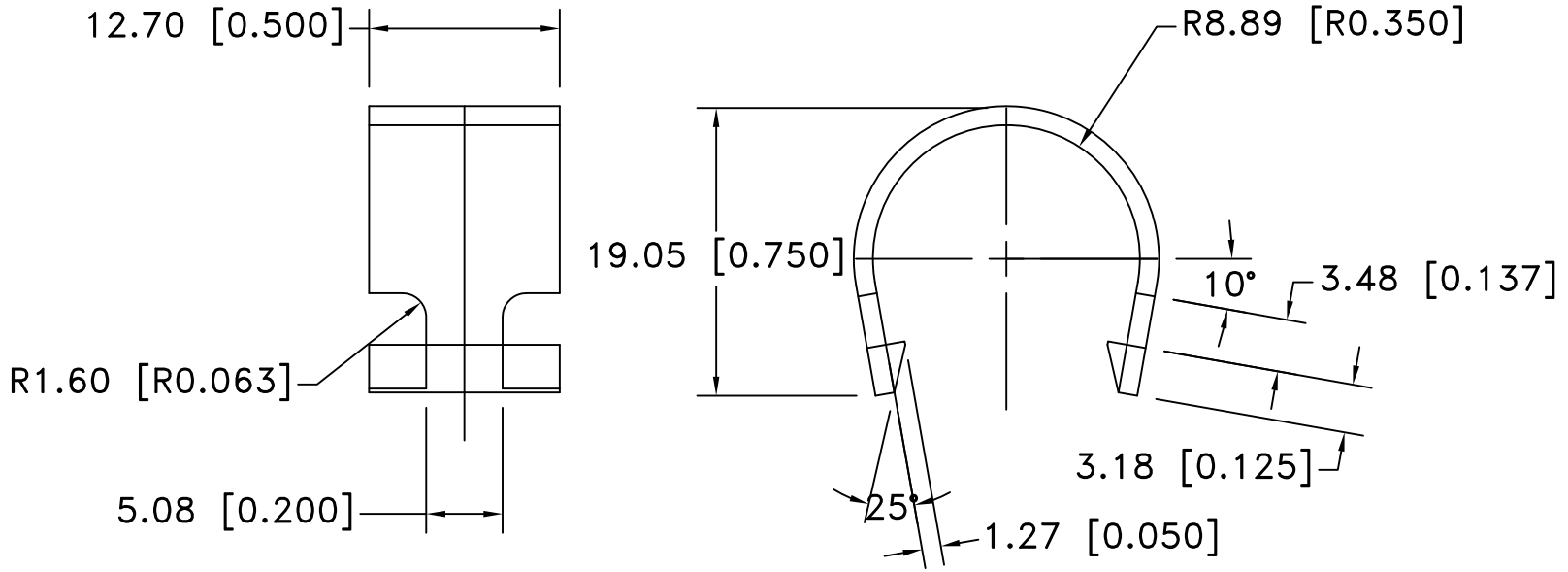



PART NO.	DESCRIPTION	MATERIAL
ABG-08	COVER	BLACK POLYSTYRENE UL RATING 94V-0

Date	SYM	REVISION RECORD	AUTH	DR.	CK.
1/9/09	A	RE-DRAWN Added "ROHS COMPLIANT"	T.B.	B.S.	
2/05/10	B	REMOVED MATERIAL NOTE	T.B.	B.S.	



Tolerance (Except as noted)	 Memory Protection Devices, Inc 200 Broad Hollow Road, Farmingdale, New York 11735	Scale	Drawn By B.S.
decimal ±.5 (.020)			Approved By T.B.
Fractional ± .8 (.030)	Title COVER FOR BC2/3AE		
Angular ± 3°	Date 2/05/10	Drawing Number BC2/3AC	