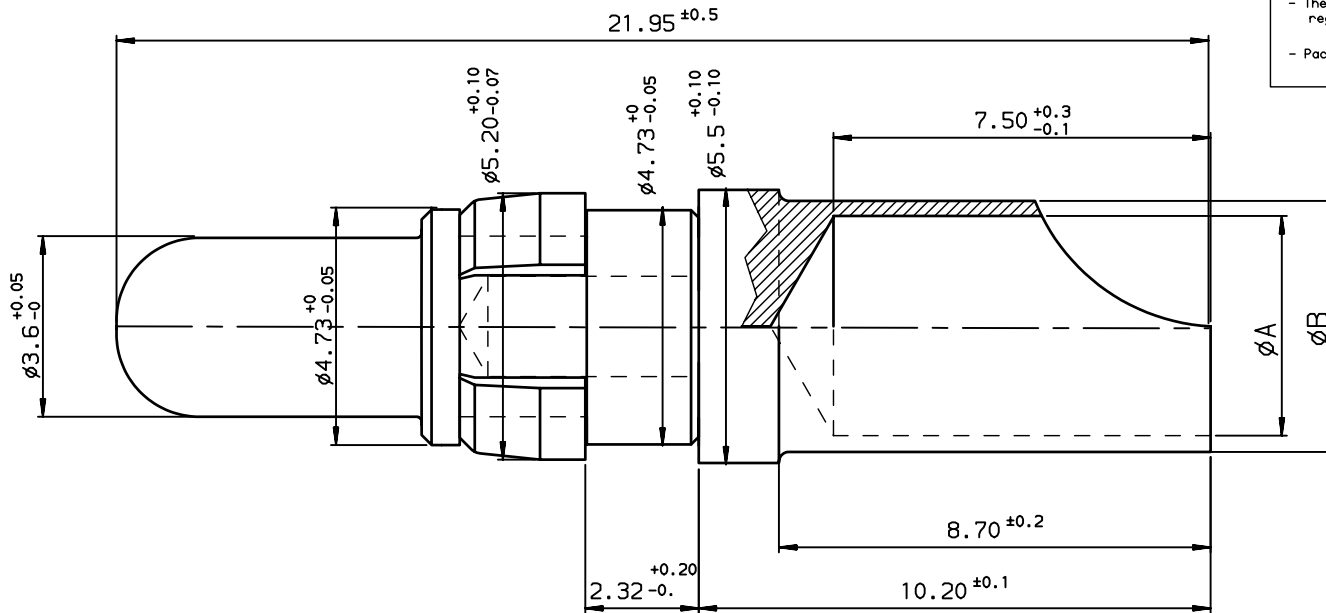


		Core range					
8638PPS4005	8638PPS4005LF	40	8	Section 8.98 mm ² Ø Ame 3.90 mm	4.40	5.50	blue
8638PPS2005	8638PPS2005LF	20	12	Section 3.18 mm ² Ø Ame 2.40 mm	2.80	3.65	red
8638PPS1005	8638PPS1005LF	10	16	Section 1.34 mm ² Ø Ame 1.50 mm	1.70	2.60	black
TIN LEAD PART NUMBER	LEAD FREE PART NUMBER	CURRENT max A	AWG	mm ²	ØA ^{+0.10} -0	ØB ^{+0.10}	COLOUR CLIP
			WIRE AREA				



NOTE:RoHS INFORMATIONS

- The "LF" products meet European union Directives and other country regulations as described in 65-22-008.
- Termination plating spec: Cu 2 +0 +2 um, Sn 3 +0 +3µm (pure matte)
- Packaging spec: see 65-14-920 contact:CuZn40 Pb3 1µNi+gold

Materials and finish for TIN LEAD

contact:CuZn40 Pb3 1µNi+gold
 Solder buckets:CuZn36Pb3 2µNi+2µSnPb mini
 Clip : plastic
Technical characteristics
 Peak voltage: 750Veff.
 Operating voltage: 500Veff.
 Temperature range:-55°C ÷125°C
 Packaging per 100
 Current capability see table

Mechanical characteristics:
 Mechanical endurance : > 200 matings/unmatings .
 Contact insertion force in insulator:
 60N maxi in a hole of 4.80mm
Examination of product:
 Remove all burrs and sharp edges 0.08 maxi
 No scratch on all pieces

European Views

www.fciconnect.com		surface ISO 1302 ✓	tolerance std ISO 406 ISO 1101	projection A3	mm
TOLERANCES UNLESS OTHERWISE SPECIFIED					
Dr	JARRY	1994/12/12	0.X	±0.1	size A3
Eng	PESSON	1994/12/12	0.XX	±0.1	
Chr	LEGARE	1994/12/12	0.XXX	±0.1	
Appr	LEGARE	1994/12/12	ANGULAR 0.XX' ±2'	LINEAR	ECN LS08-0029
Product family				D-SUB	Spec ref -
		MALE POWER CONTACT FOR SOLDER CONNECTION		dwg no C01-8638-0334-1	Rev. G
catalog no		-		CUSTOMER	sheet 1 of 1

rev	ecn no	dr	date
D	-	BAR	2003/04/17
E	LS05-005	MPE	2005/04/05
F	LS06-0097	LGO	2006/07/27
G	LS08-0029	MPE	2008/01/28
-	-	-	-
-	-	-	-
-	-	-	-

Copyright FCI. FCJ